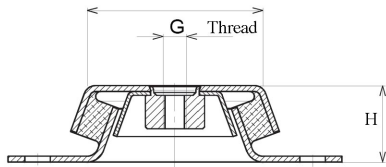
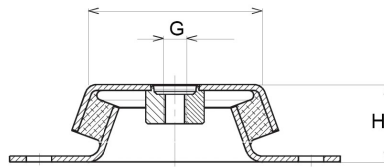


Fail-Safe



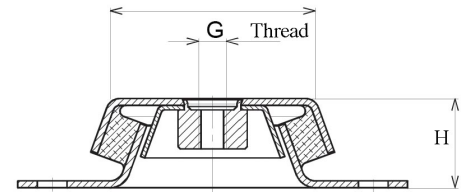
Style 1

Standard



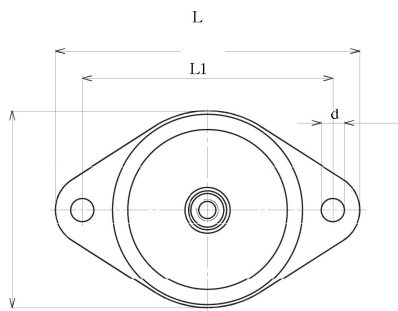
Style 2

Height-Adjustable



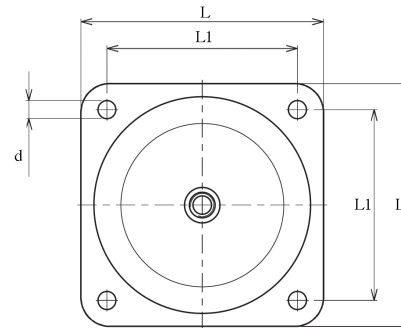
Style 3

Two-Hole-Flange



Design 1

Four-Hole-Square



Design 2

Part Number	Length x Height mm (Inch) (L) x (H)	Mounting hole (Inch) (d)	Hole Separation mm (Inch) (L1)	Thread size mm (Inch) (G)	Style	Design	Quality		Max. Static Compression Force (vertical)		Max. Static Shear Force (horizontal)	
							ShoreA Duro	Elastomer	kN	lbs	kN	lbs
MP128A	128 x 30 (5.04) x (1.18)	12.7 (.50)	105 (4.13)	M10 M10 M12x1.5	1	1	43	NR	1.10	247	1.34	302
57							1.80		405	2.20	495	
68							2.88		647	3.52	791	
MP170A	170 x 39 (6.69) x (1.54)	12.7 (.50)	140 (5.51)	M12 M12 M16x1.5	1	1	43	NR	3.36	754	4.27	960
57							5.50		1,236	7.0	1,574	
68							8.80		1,978	11.20	2,518	
MP216A	216 x 52 (8.50) x (2.05)	12x14 (.50x.55)	184 (7.24)	M16	1	1	43	NR	6.41	1,440	7.32	1,646
57							10.50		2,360	12.0	2,698	
68							16.80		3,777	19.20	4,316	
MP168A	168 x 52 (6.61) x (2.05)	12.7 (.50)	132 (5.20)	M16 M16 M20x2	1	2	43	NR	6.41	1,440	7.32	1,646
57							10.50		2,360	12.0	2,698	
68							16.80		3,777	19.20	4,316	
MP184A	184 x 63 (7.24) x (2.48)	12.7 (.50)	150 (5.91)	M20 M20 M20x2	1	2	43	NR	12.51	2,811	14.34	3,223
57							20.50		4,609	23.50	5,283	
68							32.80		7,374	37.60	8,453	

The information herein is general in nature and is not intended for specific application purposes. We suggest that product samples be tested and approved based on your intended application. We reserve the right to alter specifications or withdraw products without prior notice.