

## Applications

- Compactors & Rollers
- Vibratory Equipment
- Hammers for Excavators
- Air Compressors
- Feeders
- Crushers
- Generators

elasto-Square-Shear-Mounts are used for heavy equipment such as compactors, vibratory's or hammers. The parts dampen extreme shocks, low frequencies or machine noises. The in-house developed rubber has the outstanding ability to absorb the heat generated by the vibrations which is essential for most applications.



### CHARACTERISTICS AND CAPABILITIES OF ELASTO-SQUARE-SHEAR-MOUNTS

**-Motion Isolation:** Production efficiency is only possible with preventable downtime. elasto-Square-Shear-Mounts will protect sensitive electric motors or aggregates movements.

**-Vibration Absorption:** Most machinery transfers vibrations to the immediate environment. With the installation of our elasto-Square-Shear-Mounts the vibration transfer will be prevented.

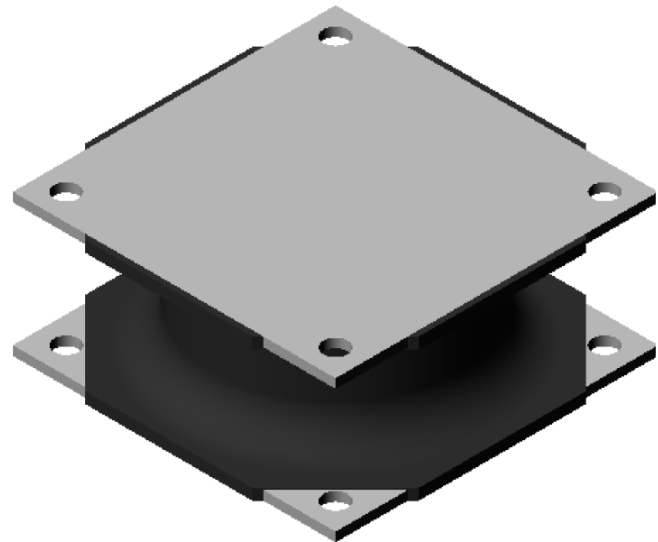
**-Noise Reduction:** All Machinery not isolated produce motion and noise. An effective isolation will be evident with the installation of our elasto-Square-Shear-Mounts

### ELASTO-SQUARE-SHEAR-MOUNTS (ADVANCED DESIGN)

The design of elasto-Square-Shear-Mounts was developed for shear and compression. The hourglass shape releases tension, during deflection on bond and rubber, this guarantees the expected performance and is most suitable in shear requirements.

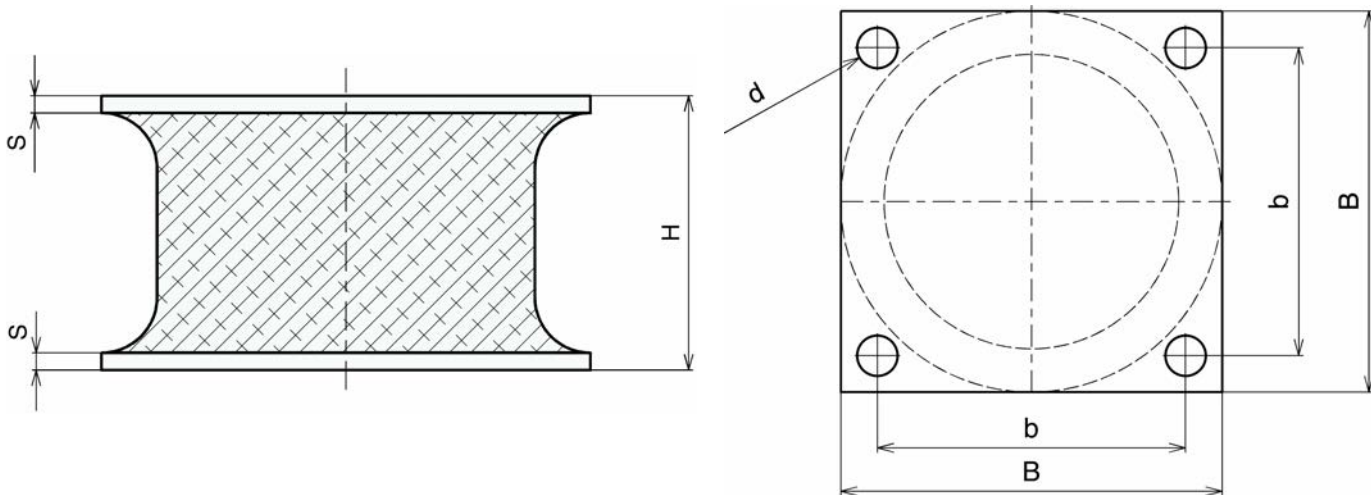
**-High Load Capacity:** Different sizes for most applications. Mounts available are from 500 N (112 LBS) up to a 33,000 N (7,500 LBS) load.

**-Maintenance Free and Long Term Durability:** The rubber elastomer is developed for rough environmental conditions.



The information herein is general in nature and is not intended for specific application purposes. We suggest that product samples be tested and approved based on your intended application. We reserve the right to alter specifications or withdraw products without prior notice.

# elasto-Square-Shear-Mounts



Part Number	Dia. x Height (Inch) (B) x (H)	bolt hole mm (Inch) (d)	Hole Separation mm (Inch) (b)	Baseplate Thickness mm (Inch) (S)	Quality		Max. Static Compression Force (vertical)		Max. Static Shear Force (horizontal)	
					ShoreA Duro	Elasto-	kN	lbs	kN	lbs
AT1060w AT1060 AT1060	100 x 63.5 (3.94) x (2.5)	8 (.31)	76.2 (3)	3 (.12)	43 57 68	NR	1.4 3.2 5.2	315 720 1170	0.5 0.9 1.5	112 202 350
AT1582w AT1582 AT1582h	152 x 82 (5.98) x (3.23)	10.2 (.40)	125 (4.92)	4 (.16)	43 57 68	NR	3 5.5 8.9	680 1340 2000	0.9 1.6 2.7	200 360 600
AT1610w AT1610 AT1060h	160 x 100 (6.30) x (3.94)	12.7 (.5)	135 (5.31)	5 (.20)	43 57 68	NR	2.7 5 8.2	600 1130 1850	0.9 1.7 2.7	205 385 620
AT17575w AT17575 AT17575h	175 x 76 (6.89) x (2.99)	12.7 (.5)	146 (5.75)	5 (.20)	43 57 68	NR	6.5 12 19.5	1460 2700 4400	1.6 3.1 5	350 700 1120
AT1876w AT1876 AT1876h	180 x 76 (7.09) x (2.99)	12.7 (.5)	146 (5.75)	6 (.24)	43 57 68	NR	6.6 12.3 20	1500 2730 4500	1.5 3 4.9	340 680 1100
AT187601w AT187601 AT187601h	180 x 76 (7.09) x (2.99)	19.1 (.75)	146 (5.75)	6 (.24)	43 57 68	NR	6.6 12.3 20	1500 2730 4500	1.5 3 4.9	340 680 1100
AT1810w AT1810 AT1810h	180 x 100 (7.09) x (3.94)	12.7 (.5)	146 (5.75)	6 (.24)	43 57 68	NR	6.5 11.6 18.5	1460 2600 4160	1.7 3.2 5.3	380 720 1200
AT181001w AT181001 AT181001h	180 x 100 (7.09) x (3.94)	19.1 (.75)	146 (5.75)	6 (.24)	43 57 68	NR	6.5 11.6 18.5	1460 2600 4160	1.7 3.2 5.3	380 720 1200
AT2414w AT2414 AT2414h	240 x 140 (9.45) x (5.51)	19.3 (.76)	190 (7.48)	6 (.24)	43 57 68	NR	11 20 33	2470 4500 7420	3.2 6 9.7	720 1350 2180

The information herein is general in nature and is not intended for specific application purposes. We suggest that product samples be tested and approved based on your intended application. We reserve the right to alter specifications or withdraw products without prior notice.