

## Applications

- Agriculture Equipment
- Heavy Construction Equipment
- Light Construction Equipment
- Air Compressors
- Motors
- Generators
- Wind Turbines
- General Industries

**elasto-Bush-Mounts** are used in a wide variety of applications such as heavy and light agriculture and construction equipment, off and on highway trucks, generators and motors, and many more. The parts absorb shocks, vibrations or machine noises.

### Characteristics and capabilities elasto-Bush-Mounts.

-Motion Isolation: Production efficiency is only possible with preventable downtime. **elasto-Bush-Mounts** will protect sensitive electric motor or aggregates from incurred movements.

-Vibration Absorption: Most machinery transfers vibrations to the immediate environment. With the installation of our **elasto-Bush-Mounts** the vibration transfer will be prevented.

-Noise Reduction: All Machinery not isolated produce motion and noise. An effective isolation will be evident with the installation of our **elasto-Bush-Mounts**

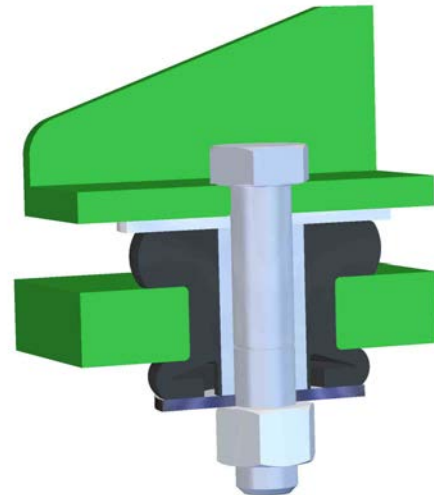
### elasto-Bush-Mounts (advance design)

The design of our **elasto-Bush-Mounts** is developed to absorb forces in all directions.

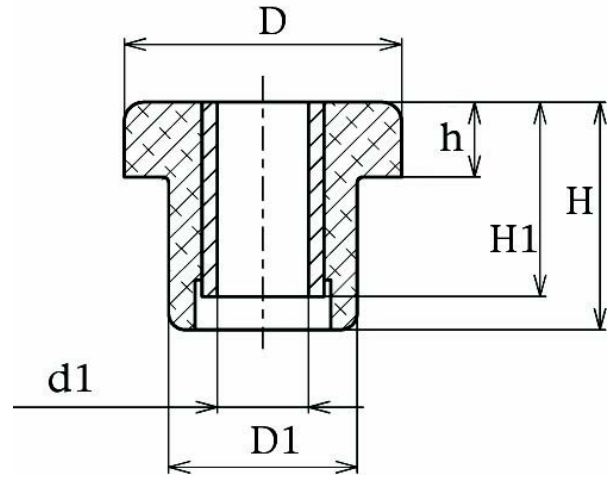
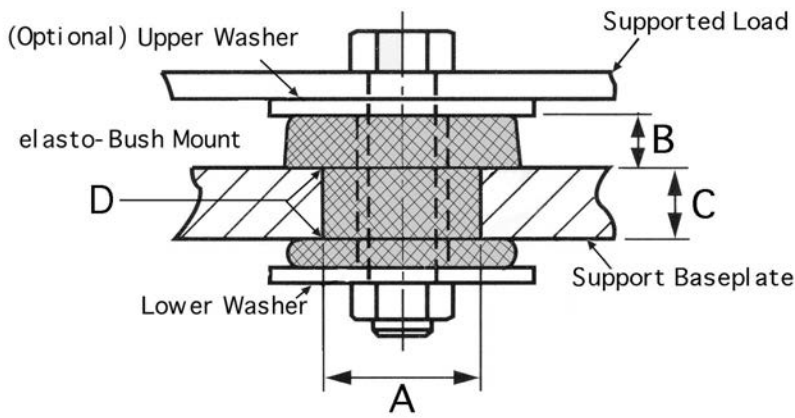
-High Load Capacity: Different sizes for most applications. Mounts available are effective up to a 1,200 kg (2,500 LBS) load.

-Maintenance Free and Long Term Durability: The standard rubber compound is developed for rough environmental conditions.

-elastometal provides over 800 different rubber compounds for all industry applications.



The information herein is general in nature and is not intended for specific application purposes. We suggest that product samples be tested and approved based on your intended application. We reserve the right to alter specifications or withdraw products without prior notice.



Part Number	Dia. x mm (Inch) (D) x (H)	Height mm (Inch) (d1)	Baseplate Hole mm (Inch) (D1)	Height mm (Inch) (h)	Sleeve Length mm (Inch) (H1)	Baseplate Thickness mm (Inch) (C)	Quality		Compression Force (Axial)	
							ShoreA Duro	Elastomer	N	Lbs
BM2826w	28 x 26 (1.10) x (1.02)	10.2 (.40)	20.4 (.80)	5.5 (.22)	15.6 (.61)	4 (.16)	43	NR	250 N at .6 mm	56 LBS at .025"
57							420 N at .6 mm		95 LBS at .025"	
68							600 N at .6 mm		135 LBS at .025"	
BM4432w	44 x 32 (1.73) x (1.26)	13 (.51)	32.2 (1.27)	10.4 (.41)	25.4 (1)	9.7 (.38)	43	NR	900 N at 1.0 mm	200 LBS at .04"
57							1500 N at 1.0 mm		340 LBS at .04"	
68							2200 N at 1.0 mm		500 LBS at .04"	
BM5041w	50 x 41 (1.97) x (1.61)	13.3 (.52)	34.4 (1.35)	13.9 (.55)	33.2 (1.31)	15.8 (.62)	43	NR	1200 N at 1.5 mm	380 LBS at .06"
57							2000 N at 1.5 mm		450 LBS at .06"	
68							2900 N at 1.5 mm		650 LBS at .06"	
BM6550w	65 x 50 (2.56) x (1.97)	16.5 (.65)	41.2 (1.62)	15.8 (.62)	41 (1.61)	19.1 (.75)	43	NR	1700 N at 1.8 mm	880 LBS at .07"
57							2800 N at 1.8 mm		630 LBS at .07"	
68							4000 N at 1.8 mm		900 LBS at .07"	
BM7556w	75 x 56 (2.95) x (2.20)	16.5 (.65)	50.8 (2)	20.0 (.79)	51 (2.01)	23.6 (.93)	43	NR	2500 N at 2.1 mm	560 LBS at .08"
57							4200 N at 2.1 mm		945 LBS at .08"	
68							6000 N at 2.3 mm		1.350 LBS at .08"	
BM9563w	95 x 63 (3.74) x (2.48)	20.2 (.80)	56.6 (2.23)	20.5 (.81)	63 (2.48)	19.1 (.75)	43	NR	4700 N at 3.3 mm	1050 LBS at .13"
57							7900 N at 3.3 mm		1770 LBS at .13"	
68							11,200 N at 3.3 mm		2500 LBS at .13"	

The information herein is general in nature and is not intended for specific application purposes. We suggest that product samples be tested and approved based on your intended application. We reserve the right to alter specifications or withdraw products without prior notice.