

Applications

- Engines
- Motors
- Air Compressors
- Exhaust
- Heavy Equipment
- Farm Equipment
- Off Road Vehicle
- Highway Trucks

elasto-Two-Piece-Isolator are used for heavy and light equipment such as agriculture, construction, off and on highway vehicles. But also in the general industry in a variety of applications. The parts absorb shock, vibration or machine noise in all directions.



CHARACTERISTICS AND CAPABILITIES OF ELASTO-TWO-PIECE-BUSH-MOUNTS.

-Motion Isolation: Production efficiency is only possible with preventable downtime. elasto-Two-Piece-Isolator will protect sensitive electric motor or aggregates from incurred movements.

-Vibration Absorption: Most machinery transfers vibrations to the immediate environment. With the installation of our elasto-Two-Piece-Isolator the vibration transfer will be prevented.

-Noise Reduction: All Machinery not isolated produce motion and noise. An effective isolation will be evident with the installation of our elasto-Two-Piece-Isolator

ELASTO-TWO-PIECE-ISOLATOR (ADVANCED DESIGN)

The design of the elasto-Two-Piece-Isolator is developed to absorb forces in all directions.

-Load Capacity: Different sizes for most applications. Mounts available are effective up to a 1,500 kg (3,300 LBS) load.

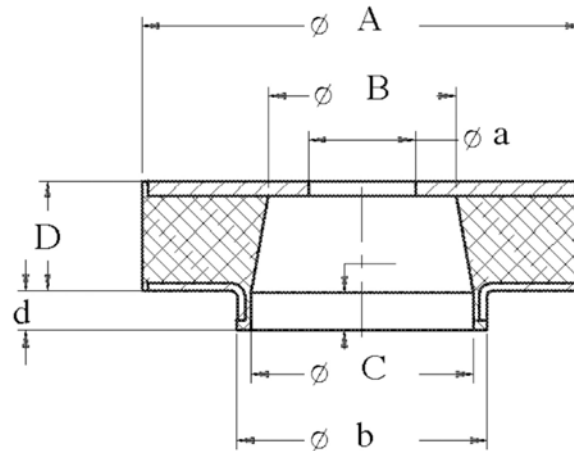
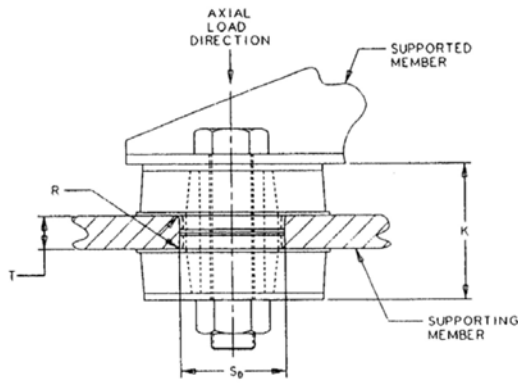
-Maintenance Free and Long Term Durability: The standard rubber compound is developed for rough environmental conditions.

-elastometal provides over 800 different rubber compounds for all industry applications.



The information herein is general in nature and is not intended for specific application purposes. We suggest that product samples be tested and approved based on your intended application. We reserve the right to alter specifications or withdraw products without prior notice.

elasto-Two-Piece-Isolators



Part Number	Dia. x mm (Inch) (A) x (D)	Height mm (Inch) (B)	Rubber ID mm (Inch) (B)	bolt hole mm (Inch) (a)	Base Plate Hole mm (Inch) (b)	Mounting Plate Thickness mm (Inch) (T)	Collar mm (Inch) (d)	Quality ShoreA Duro	Axial Load/Deflection	
									N at mm	Lbs at Inch
TPI368w	36 x 8 (1.42) x (.31)	8	16.6 (.65)	16.6 (.65)	20 (.79)	6 (.24)	3 (.12)	43	190 N at .8 mm	41 LBS at .03"
TPI368								57	500 N at .8 mm	105 LBS at .03"
TPI368h								68	1200 N at .8 mm	260 LBS at .03"
TPI5620w	56 x 20 (2.20) x (.79)	20	25 (.98)	13 (.51)	34.5 (1.36)	15 (.59)	7.5 (.30)	43	150 N at 1.8 mm	119 LBS at .07"
TPI5620								57	1200 N at 1.8 mm	260 LBS at .07"
TPI5620h								68	2000 N at 1.8 mm	260 LBS at .07"
TPI6720w	67 x 20.5 (2.64) x (.81)	20.5	28 (1.10)	17.5 (.69)	35.1 (1.38)	16 (.63)	8 (.31)	43	800 N at 2.0 mm	173 LBS at .08"
TP6720								57	1600 N at 2.0 mm	346 LBS at .08"
TPI6720h								68	3400 N at 2.0 mm	735 LBS at .08"
TPI8220w	82 x 20.6 (3.23) x (.81)	20.6	31 (1.22)	20 (.79)	50.8 (2)	16 (.63)	8 (.31)	43	1800 N at 2.2 mm	390 LBS at .09"
TPI8220								57	3400 N at 2.2 mm	735 LBS at .09"
TPI8220h								68	4600 N at 2.3 mm	1000 LBS at .09"
TPI822001w	80 x 20.6 (3.15) x (.81)	20.6	35 (1.38)	20 (.79)	46.7 (1.84)	15 (.59)	7.5 (.30)	43	5000 N at 2.2 mm	1082 LBS at .09"
TPI822001								57	10000 N at 2.3 mm	2160 LBS at .09"
TPI822001h								68	15000 N at 2.3 mm	3245 LBS at .09"

The information herein is general in nature and is not intended for specific application purposes. We suggest that product samples be tested and approved based on your intended application. We reserve the right to alter specifications or withdraw products without prior notice.