

Applications

- Rail Road
- Buses and Trucks
- Construction Equipments
- Wind Turbines
- General Industries

Elasto-Spherical-Bushing capable of absorbing axial, radial, torsional movement and conical deflection. Elasto-Spherical-Bushing are for vibration, noise and shock control for components there are twisting in all directions. The Bushings are used as bearing, joints, brake levers and steering gears in transit, buses, trucks, or in a industrial application.

CHARACTERISTICS AND CAPABILITIES OF ELASTO-SPHERICAL-BUSHINGS

-Motion Isolation: Production efficiency is only possible with preventable downtime. elasto-Spherical-Bushings will protect sensitive electric motors, frames, joints, chassis or bogies from incurred movements.

-Vibration Absorption: Most machinery transfers vibrations to the immediate environment. With the installation of our elasto-Spherical-Bushings as joints or bearings the vibration transfer will be prevented.

-Noise Reduction: All chassis or bogies not isolated produce motion and noise. An effective isolation will be evident with the installation of our elasto-Spherical-Bushings

ELASTO-SPHERICAL-BUSHINGS (ADVANCED DESIGN)

The design of the elasto-Spherical-Bushing are developed to absorb vibration control in axial, radial and torsional

-High Load Capacity: Different sizes for most applications. Mounts available are effective up to a 1,200 kg (2,500 LBS) load.

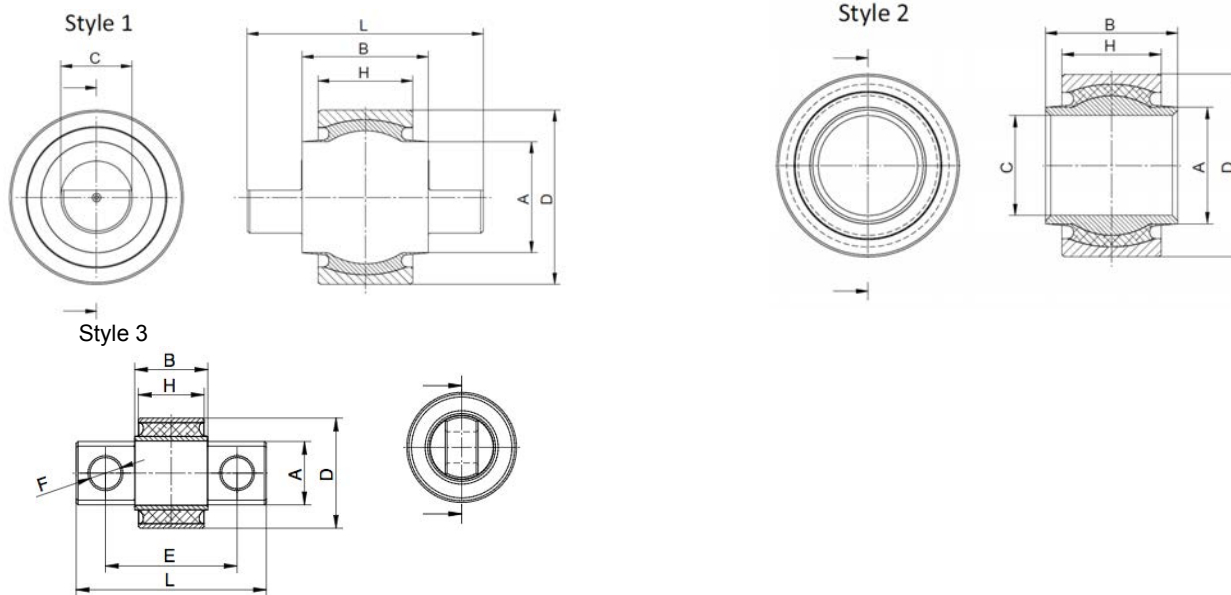
-Maintenance Free and Long Term Durability: The standard rubber compound is developed for rough environmental conditions.

-elastometall provides over 800 different rubber compounds for all industry applications.



The information herein is general in nature and is not intended for specific application purposes. We suggest that product samples be tested and approved based on your intended application. We reserve the right to alter specifications or withdraw products without prior notice.

elasto-Spherical-Bushing



Part Number	Diameter x Height mm (Inch) (A) x (D)	Inner Dia. mm (Inch) (a1)	Outer Member Height mm (Inch) (E)	Length mm (Inch) (C)	Outer Dia. of Inner Member mm (Inch) (B)	Mount hole mm (Inch) (L)	Mounting Separation mm (Inch) (h)	Style	Quality		max. load		
									ShoreA Duro	Elasto-	Radial kN lbs	Axial kN lbs	Torque Nm
XX1686	60 x 40 (2.36" x 1.57")	-	36 (1.41")	104 (4.09")	-	17 (.67")	72 (2.83")	3	55	NR	9 (20.000)	1.5 (334)	120
XX1584	110 x 90 (4.33" x 3.54")	-	70 (2.75")	160 (6.29")	70 (2.75")	-	-	1	55	NR	10 (2248)	5.5 (1236)	500
XX1585	110 x 80 (4.33" x 3.54")	60 (2.36")	70 (2.75")	-	70 (2.75")	-	-	2	55	NR	10 (2248)	5.5 (1236)	500
XX1517	110 x 80 (4.33" x 3.54")	-	60 (2.36")	149.6 (5.89")	70 (2.75")	-	-	1	55	NR	10 (2248)	5.5 (1236)	500
XX1518	110 x 80 (4.33" x 3.54")	60 (2.36")	60 (2.36")	-	70 (2.75")	-	-	2	55	NR	10 (2248)	5.5 (1236)	500
XX1588	110 x 80 (4.33" x 3.54")	-	60 (2.36")	150 (5.90")	67.8 (2.67")	-	-	1	55	NR	10 (2248)	5.5 (1236)	500
XX1589	110 x 80 (4.33" x 3.54")	60 (2.36")	60 (2.36")	-	67.8 (2.67")	-	-	1	55	NR	10 (2248)	5.5 (1236)	500
XX1701	200 x 222 (7.87" x 8.74")	-	222 (8.74")	490 (19.29")	-	32 (1.25")	390 (15.35")	3	55	NR	80 (17984)	28 (1.25")	8812

The information herein is general in nature and is not intended for specific application purposes. We suggest that product samples be tested and approved based on your intended application. We reserve the right to alter specifications or withdraw products without prior notice.