

## Applications

- Agriculture Equipments
- Heavy Construction Equipments
- Light Construction Equipments
- Air Compressors
- Motors
- Generators
- General Industries

elasto-Motor-Mounts are used for heavy and light equipment such as agriculture, construction, off and on highway trucks. But also the general industry has many application. The parts absorb shocks, vibrations or machine noises.

### CHARACTERISTICS AND CAPABILITIES OF ELASTO-MOTOR-MOUNTS.

**-Motion Isolation:** Production efficiency is only possible with preventable downtime. elasto-Motor-Mounts will protect sensitive electric motor or aggregates from incurred movements.

**-Vibration Absorption:** Most machinery transfers vibrations to the immediate environment. With the installation of our elasto-Motor-Mounts the vibration transfer will be prevented.

**-Noise Reduction:** All Machinery not isolated produce motion and noise. An effective isolation will be evident with the installation of our elasto-Motor-Mounts

### ELASTO-MOTOR-MOUNTS (ADVANCED DESIGN)

The design of the elasto-Motor-Mounts are developed to absorb forces in all directions.

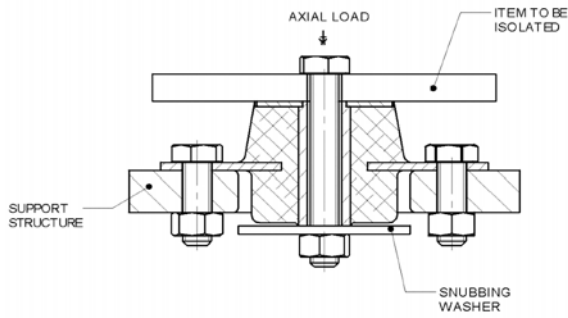
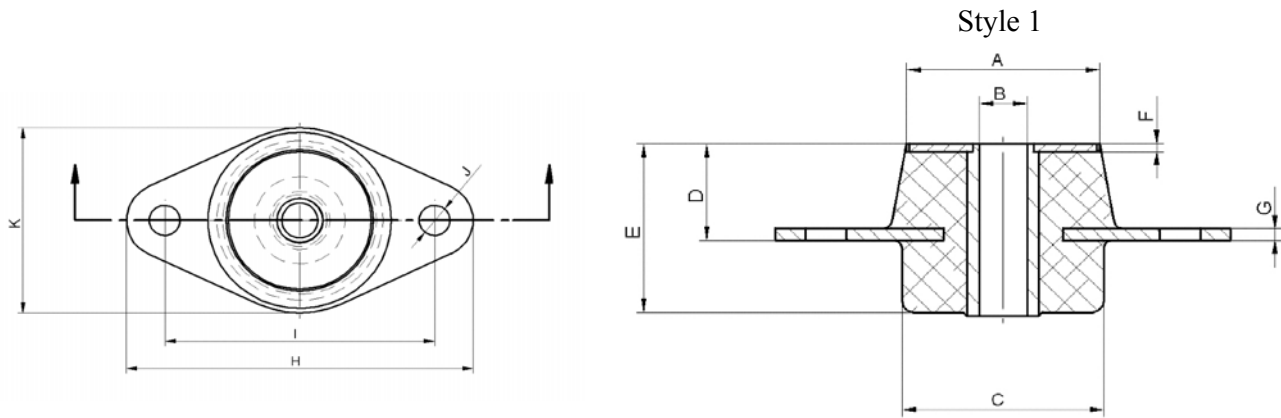
**-High Load Capacity:** Different sizes for most applications. Mounts available are effective from 90 kg (180 kg) up to a 418 kg (920 LBS) load.

**-Maintenance Free** and Long Term Durability: The standard rubber compound is developed for rough environmental conditions.

-**elastometall** provides over 800 different rubber compounds for all industry applications.



The information herein is general in nature and is not intended for specific application purposes. We suggest that product samples be tested and approved based on your intended application. We reserve the right to alter specifications or withdraw products without prior notice.



Style 2

Part Number	Diameter x Height mm (Inch) (A) x (E)	Inner Diameter mm (Inch) (B) (T)	Hole Separation mm (Inch) (I)	Mounting Holes mm (Inch) (J)	Baseplate Thickness mm (Inch) (G)	Flange Length mm (Inch) (H)	Style	Quality  ShoreA Duro	Max. Static Compression Force (vertical)		Max. Static Shear Force (horizontal)	
									N	lbs	N	lbs
XX1564w XX1564 XX1564h	49 x 45 (1.93) x (1.77)	12 (.47)	88.9 (3.5)	10.3 (.41)	3 (.12)	114.5 (4.51)	1	43 57 68	800 1480 2400	180 333 540	420 777 1260	94 175 283
XX156401w XX156401 XX156401h	49 x 45 (1.93) x (1.77)	13.5 (.53)	88.90 (3.5)	10.3 (.41)	3 (.12)	114.5 (4.51)	1	43 57 68	800 1480 2400	180 333 540	420 777 1260	94 175 283
XX1565w XX1565 XX1665h	51 x 51 (2.01) x (2.01)	13.3 (.52)	34.4 (1.35)	13.9 (.55)	15.8 (.62)	119.2 (4.69)	1	43 57 68	1364 2523 4092	307 567 920	710 1314 2130	160 295 479
XX1583w XX1583 XX1583h	44 x 27.8 (1.73) x (1.09)	24 (M8) (.94) (*)	77 (3.03)	9 (.35)	3 (.12)	96 (3.78)	2	43 57 68	830 1536 2490	187 345 560	200 370 600	45 83 135

\*UNC Threads upon request

The information herein is general in nature and is not intended for specific application purposes. We suggest that product samples be tested and approved based on your intended application. We reserve the right to alter specifications or withdraw products without prior notice.